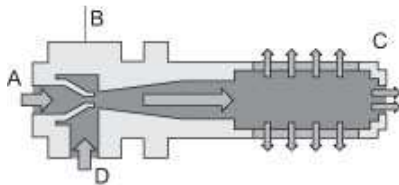


Purely pneumatic vacuum generator that operates on the Venturi principle. Compressed air enters the ejector at A and flows through the nozzle B. This results in a vacuum immediately behind the nozzle outlet, and air is drawn in through the vacuum inlet D. This air and the driving air leave the ejector via the silencer C.



SBP 20

Characteristics:

- Vacuum generator without control valves or system monitoring functions, with a high maximum vacuum value (85 %)
- No moving parts, which means no wear and no maintenance
- Maximum suction capacity with minimum compressed air consumption
- Minimum size, low weight
- For decentralised vacuum generation in highly dynamic processes

Applications:

For universal use in lightweight gripper systems to handle air-tight workpieces as well as for automatic separation systems, e.g. in the plastics, electronics and packaging industries. Also ideal for the construction of ejector blocks for decentralised control of suction pads.

Body:

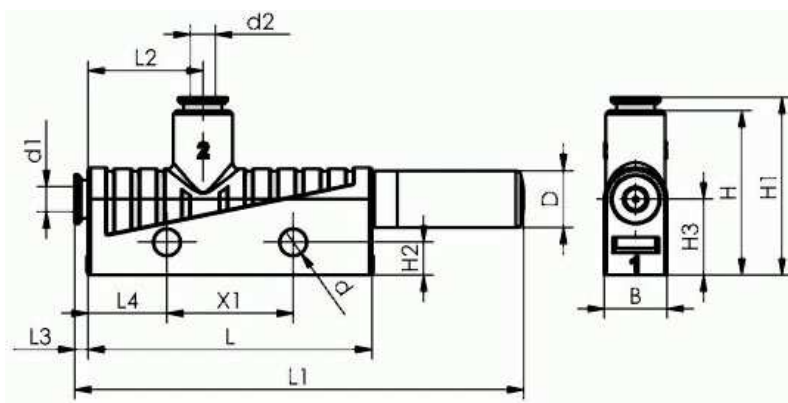
Plastic (impact-resistant)

Silencer:

Plastic

Connection:

Push-in coupling



Basic ejectors »SBP«

Art. No.	Noz zle- Ø	B	d	d1	d2	D	H	H1	H2	H3	L	L1	L2	L3	L4	X1
SBP 05	0.5	10.0	4.2	4.0	4.0	9.0	26.0	28.0	5.2	12.0	45.0	71.0	18.0	2.0	12.5	20.0
SBP 07	0.7	10.0	4.2	4.0	4.0	9.0	26.0	28.0	5.2	12.0	45.0	71.0	18.0	2.0	12.5	20.0
SBP 10	1.0	15.0	4.2	6.0	8.0	14.0	34.0	40.0	5.2	14.0	51.5	97.0	22.0	5.5	12.5	20.0
SBP 15	1.5	15.0	4.2	6.0	8.0	14.0	34.0	40.0	5.2	14.0	51.5	97.0	22.0	5.5	12.5	20.0
SBP 20	2.0	20.0	4.2	8.0	10.0	20.0	39.0	45.5	5.2	17.0	86.5	168.0	24.5	5.5	12.5	20.0
SBP 25	2.5	20.0	4.2	8.0	10.0	20.0	39.0	45.5	5.2	17.0	86.5	168.0	24.5	5.5	12.5	20.0

Department eDocumentation

Phone. +49 7125 9497-41, -42, -53, -260, -330

Fax. +49 7125 9497-99

e-mail: eDocumentation@riegler.de

edition 11/2009 Subject technical changes.

RIEGLER & Co. KG

www.riegler.net

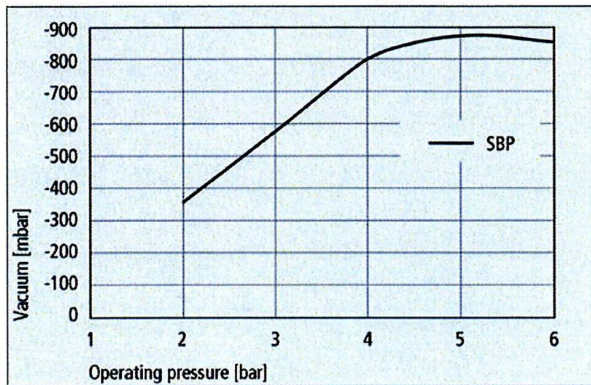
Technical data

Art.-Nr.	Degree of evacuation [%]	Max. suction rate [l/min]	Max. suction rate [m³/h]	Air consumpt. during evac. [l/min]*	Air consumpt. during evac. [m³/h]*	Operating pressure [bar]	Weight [g]
SBP 05	85.0	8.0	0.5	13.5	0.8	4.5	7.5
SBP 07	85.0	16.0	1.0	22.0	1.3	4.5	7.5
SBP 10	85.0	37.7	2.3	48.0	2.9	4.5	22.0
SBP 15	85.0	71.0	4.3	105.0	6.3	4.5	22.0
SBP 20	85.0	127.0	7.6	197.0	11.8	4.5	50.0
SBP 25	85.0	215.0	12.9	311.0	18.7	4.5	50.0

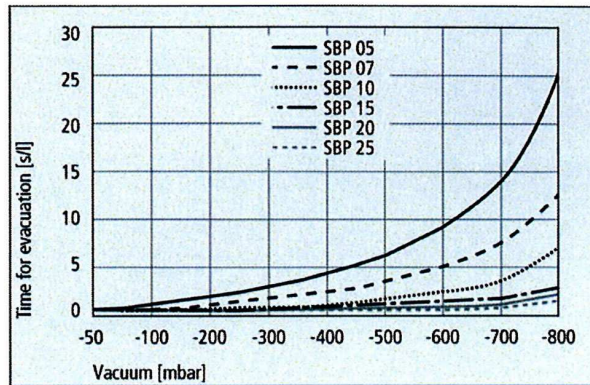
Art.-Nr.	Noise level workp. gripped [db(A)]	Noise level free [db(A)]	Operating temperature [°C]	Recomm. int. hose diameter compr. air [mm]**	Recomm. int. hose diameter vaccum [mm]**
SBP 05	53.0	58.0	0-60.0	2.0	2.0
SBP 07	59.0	65.0	0-60.0	2.0	2.0
SBP 10	59.0	65.0	0-60.0	4.0	6.0
SBP 15	65.0	72.0	0-60.0	4.0	6.0
SBP 20	68.0	77.0	0-60.0	6.0	7.0
SBP 25	70.0	78.0	0-60.0	6.0	7.0

* At optimal operating pressure.
** For max. length 2 m.

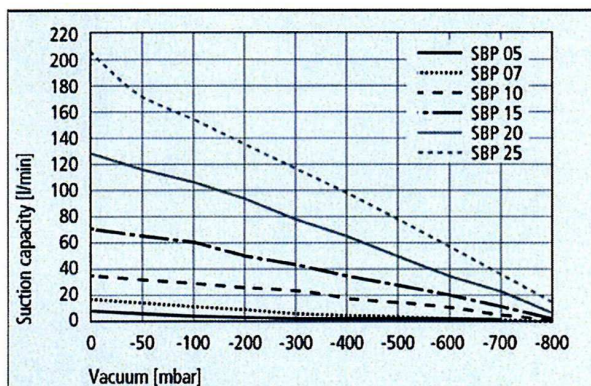
Performance data



Achievable vacuum at various operating pressures



Evacuation times for various vacuum ranges



Suction capacity at various degrees of evacuation

Suction capacity in l/min at various degrees of evacuation

Art. No.	Degree of evacuation in mbar									
	0	-50	-100	-200	-300	-400	-500	-600	-700	-800
SBP 05	8.0	6.6	5.6	4.7	3.8	3.0	2.3	1.4	0.4	0.1
SBP 07	16.1	13.6	11.4	9.0	7.3	5.6	4.0	2.7	1.1	0.3
SBP 10	37.7	33.2	30.1	26.7	23.0	18.6	14.9	9.8	5.2	1.6
SBP 15	71.0	65.0	60.1	52.0	44.0	36.5	29.0	20.5	11.4	2.2
SBP 20	127.0	117.8	106.0	94.2	79.1	65.3	49.9	36.0	23.0	8.4
SBP 25	215.0	172.0	156.1	138.7	118.5	99.1	79.4	58.9	37.2	16.2

Evacuation time in s/l for various vacuum ranges

Art. No.	Degree of evacuation in mbar									
	-50	-100	-200	-300	-400	-500	-600	-700	-800	
SBP 05	0.34	0.68	1.56	2.66	4.02	5.84	8.54	13.22	25.54	
SBP 07	0.20	0.38	0.84	1.46	2.24	3.26	4.66	6.84	12.56	
SBP 10	0.06	0.14	0.30	0.52	0.82	1.30	1.98	3.26	6.56	
SBP 15	0.05	0.08	0.16	0.26	0.40	0.60	0.86	1.30	2.54	
SBP 20	0.03	0.05	0.09	0.16	0.24	0.34	0.49	0.80	1.74	
SBP 25	0.02	0.03	0.06	0.09	0.14	0.20	0.28	0.42	0.99	